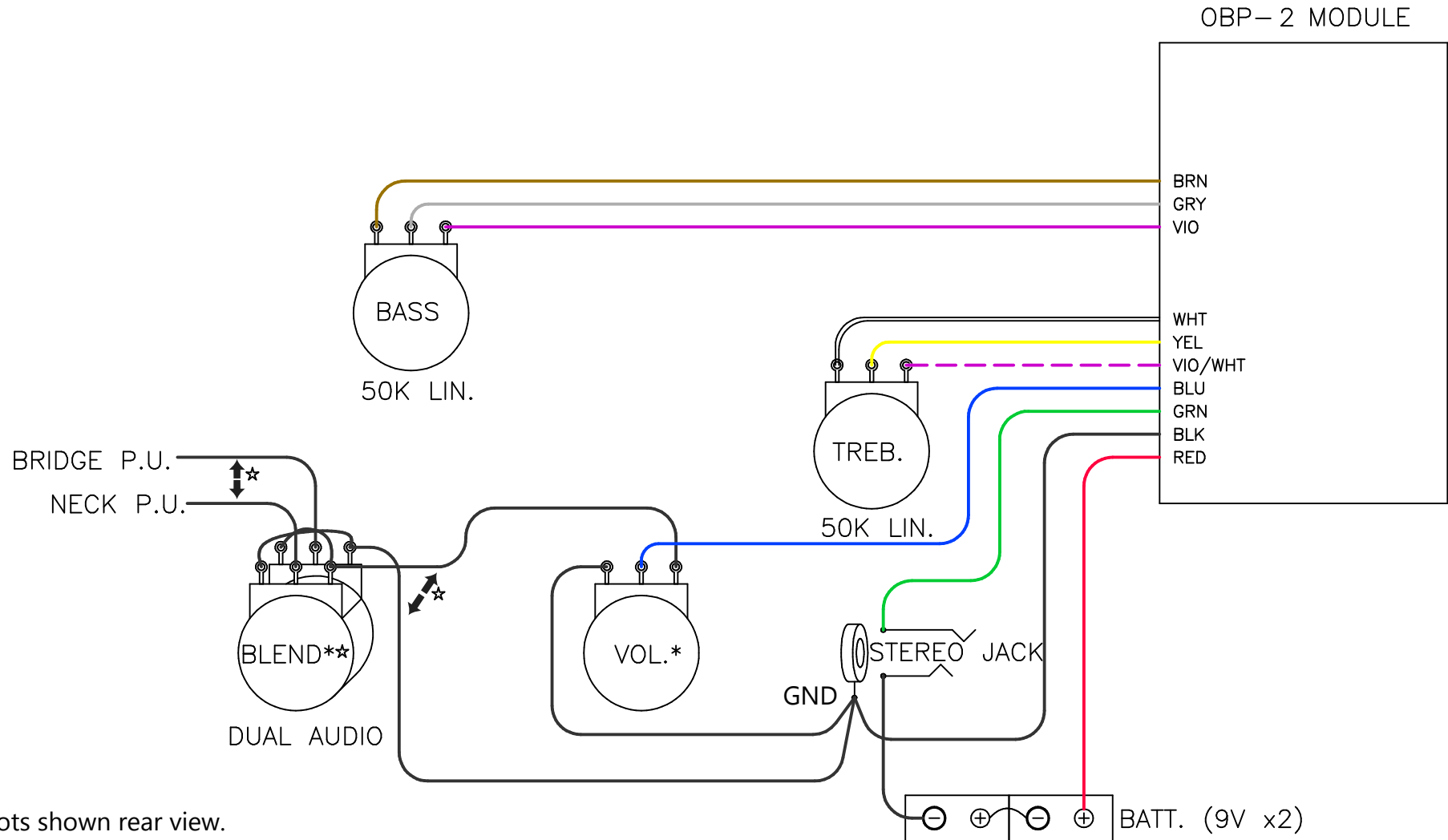




AGUILAR OBP-2 WIRING DIAGRAM WITH BLEND AND VOLUME CONTROL



Pots shown rear view.

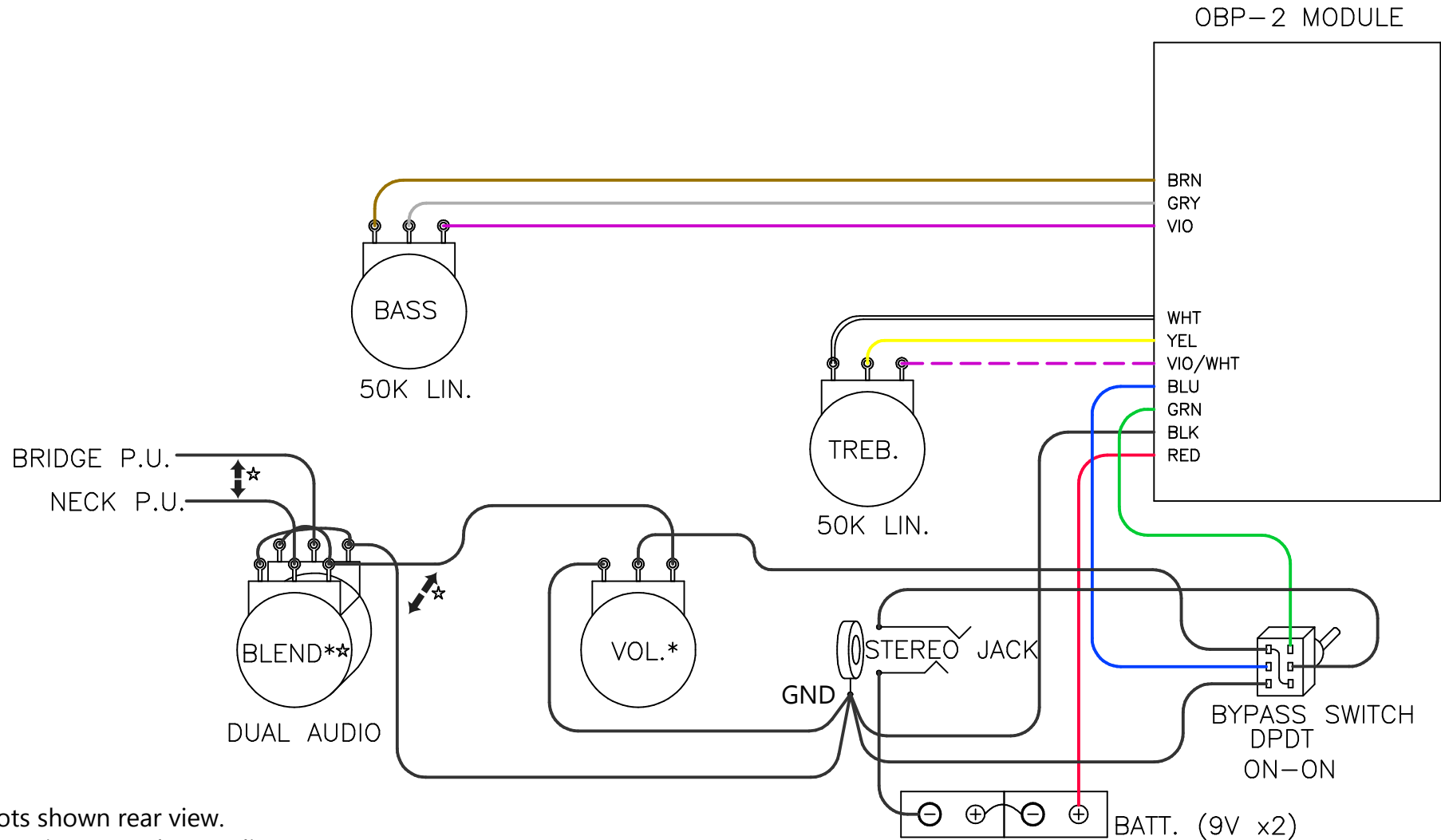
Inserting 1/4" plug applies power to OBP-2.

*Value depends on pickups. Use values recommended by pickup manufacturer.

*To wire MN (1Z2Z) taper potentiometer, swap positions of the following wires: Bridge P.U. and Neck P.U.; Volume jumper and GND. For single pickup, eliminate blend pot - wire pickup directly to volume pot.



AGUILAR OBP-2 WIRING DIAGRAM WITH BLEND, VOLUME CONTROL, AND BYPASS SWITCH



Pots shown rear view.

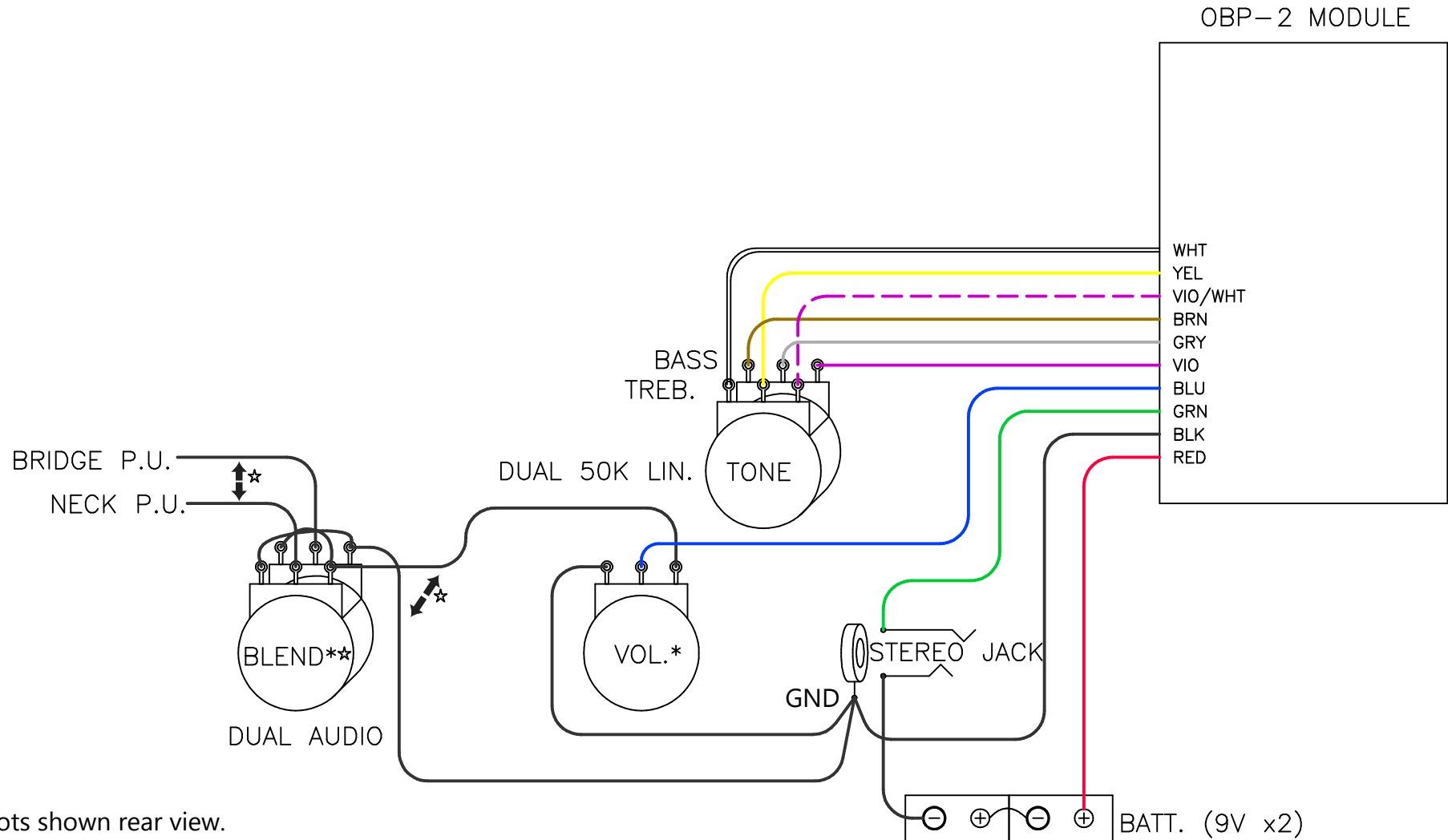
Inserting 1/4" plug applies power to OBP-2.

*Value depends on pickups. Use values recommended by pickup manufacturer.

★To wire MN (1Z2Z) taper potentiometer, swap positions of the following wires: Bridge P.U. and Neck P.U.; Volume jumper and GND. For single pickup, eliminate blend pot - wire pickup directly to volume pot.



AGUILAR OBP-2 WIRING DIAGRAM WITH BLEND, VOLUME CONTROL, AND STACKED TONE POT



Pots shown rear view.

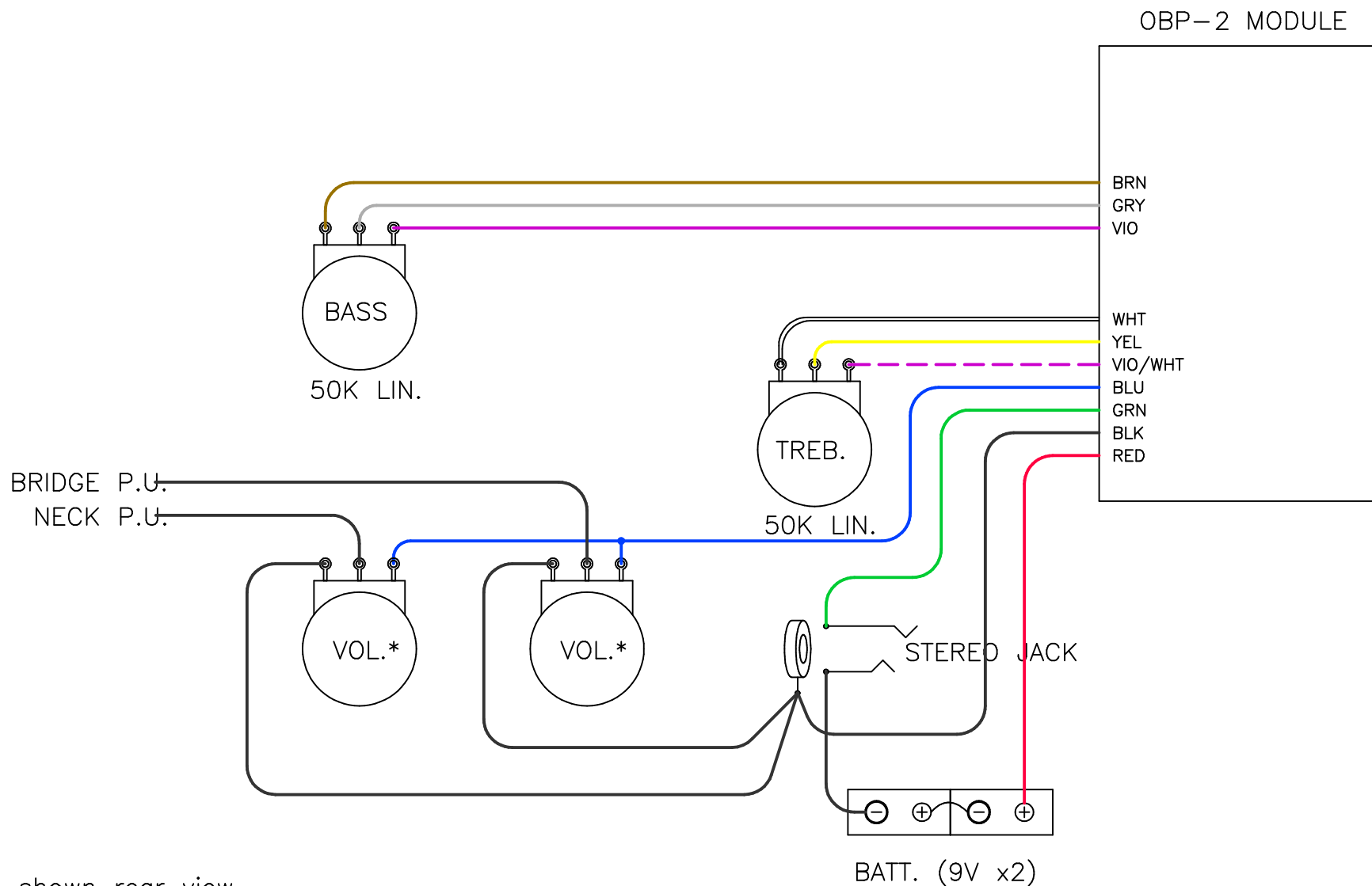
Inserting 1/4" plug applies power to OBP-2.

*Value depends on pickups. Use values recommended by pickup manufacturer.

*To wire MN (1Z2Z) taper potentiometer, swap positions of the following wires: Bridge P.U. and Neck P.U.; Volume jumper and GND. For single pickup, eliminate blend pot - wire pickup directly to volume pot.



AGUILAR OBP-2 WIRING DIAGRAM WITH TWO VOLUME CONTROLS



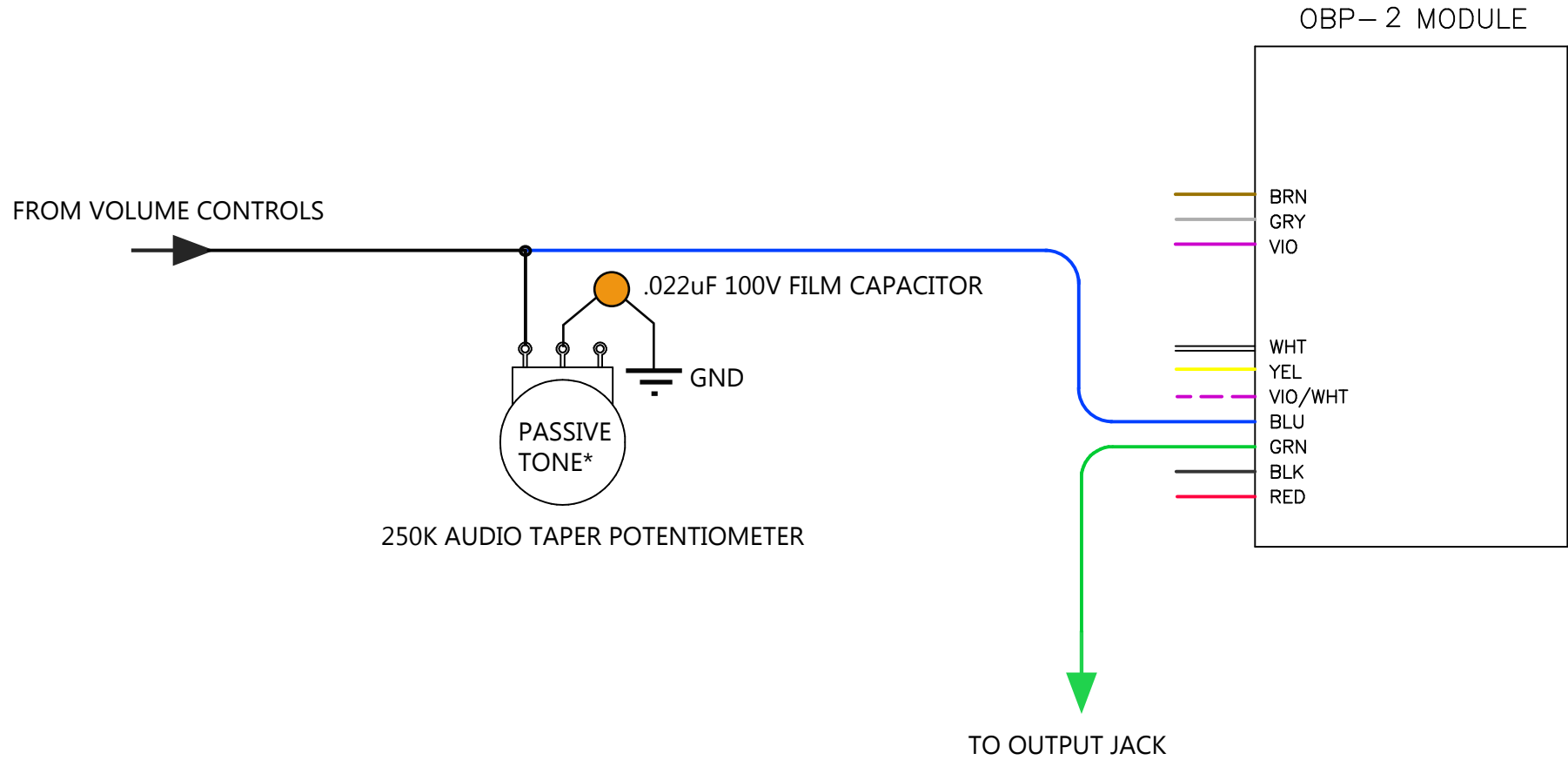
Pots shown rear view.

Inserting 1/4" plug applies power to OBP-2.

*Value depends on pickups. Use values recommended by pickup manufacturer.



AGUILAR OBP-2 WIRING DIAGRAM ADDING PASSIVE TONE CONTROL



Pots shown rear view.

*Optional. A passive tone control can be added to any of the wiring schemes on pages 1-4.