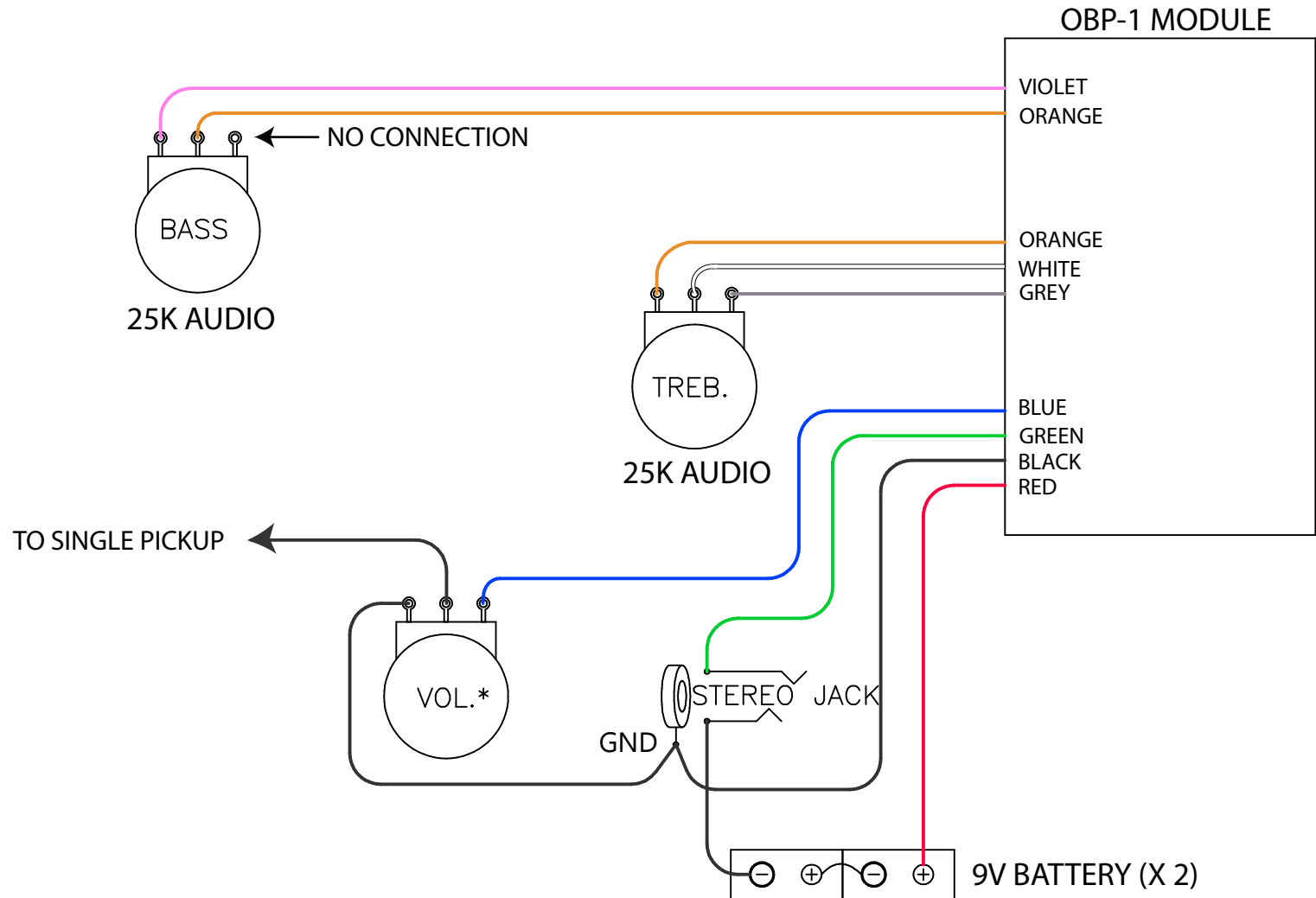




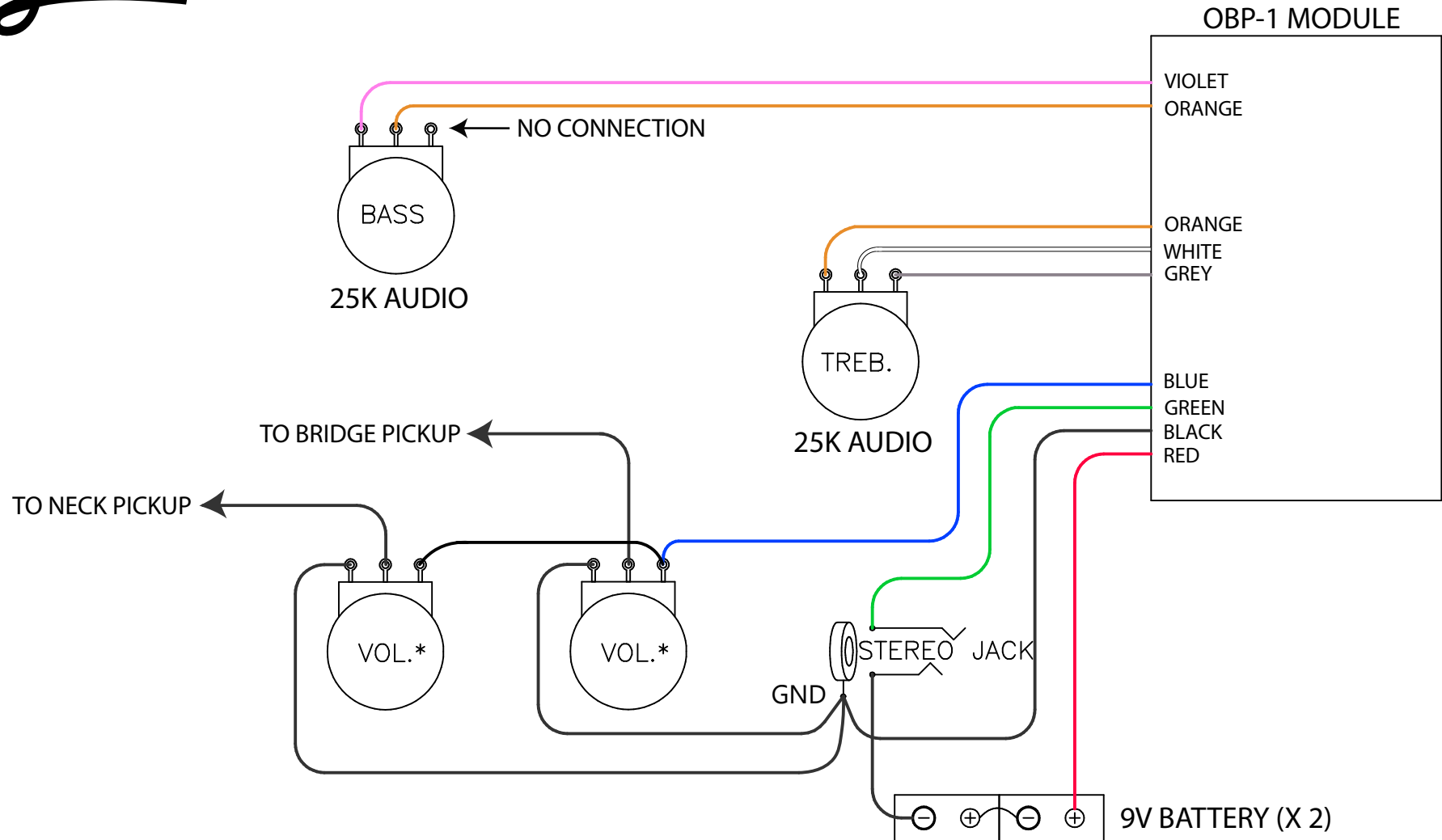
AGUILAR OBP-1 WIRING DIAGRAM WITH VOLUME CONTROL



Pots shown rear view.
Inserting 1/4" plug applies power to OBP-1.
The two orange wires are interchangeable.
*Value depends on pickup. Use value recommended by pickup manufacturer.



AGUILAR OBP-1 WIRING DIAGRAM WITH TWO VOLUME CONTROLS



Pots shown rear view.

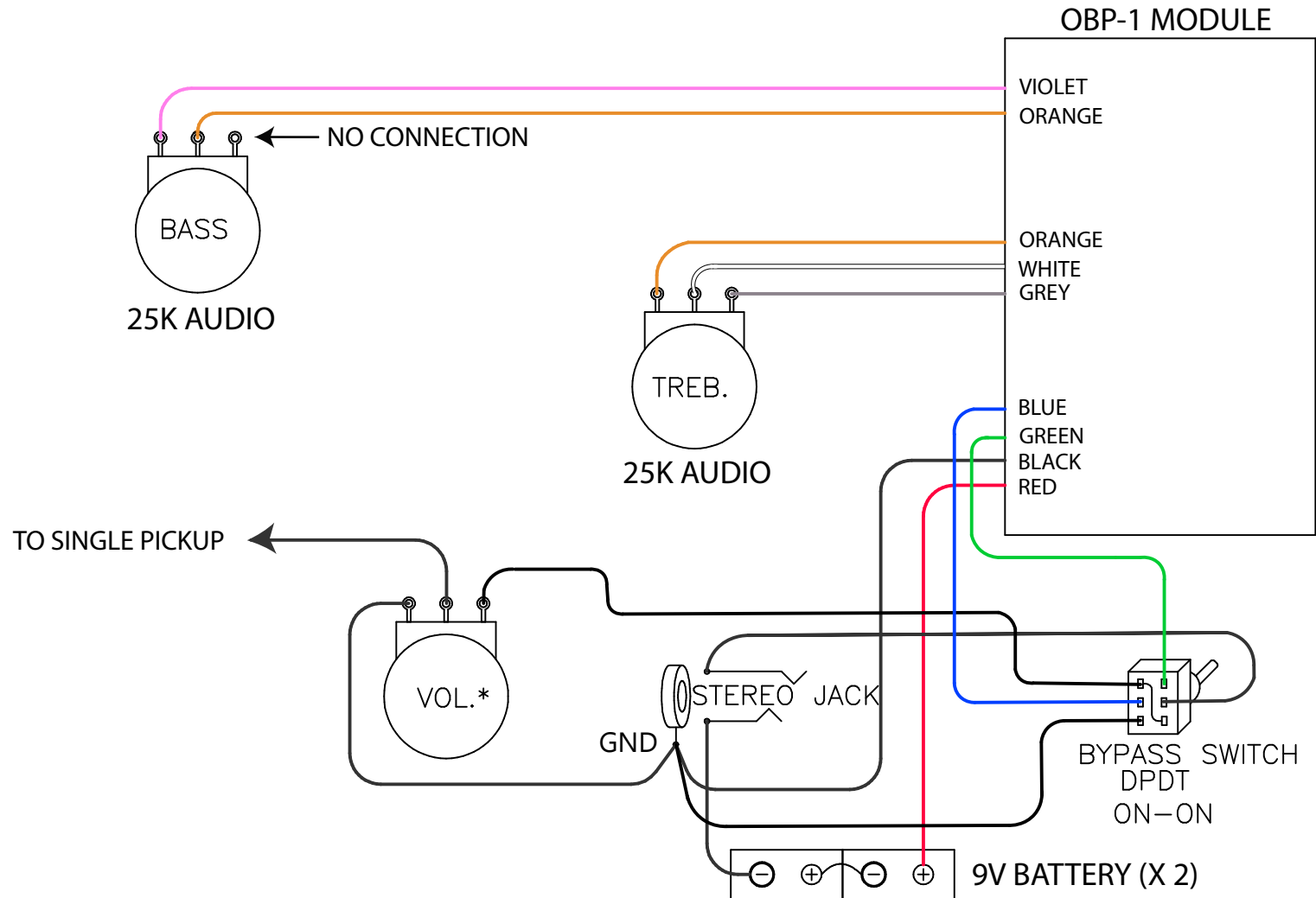
Inserting 1/4" plug applies power to OBP-1.

The two orange wires are interchangeable.

*Value depends on pickup. Use value recommended by pickup manufacturer.



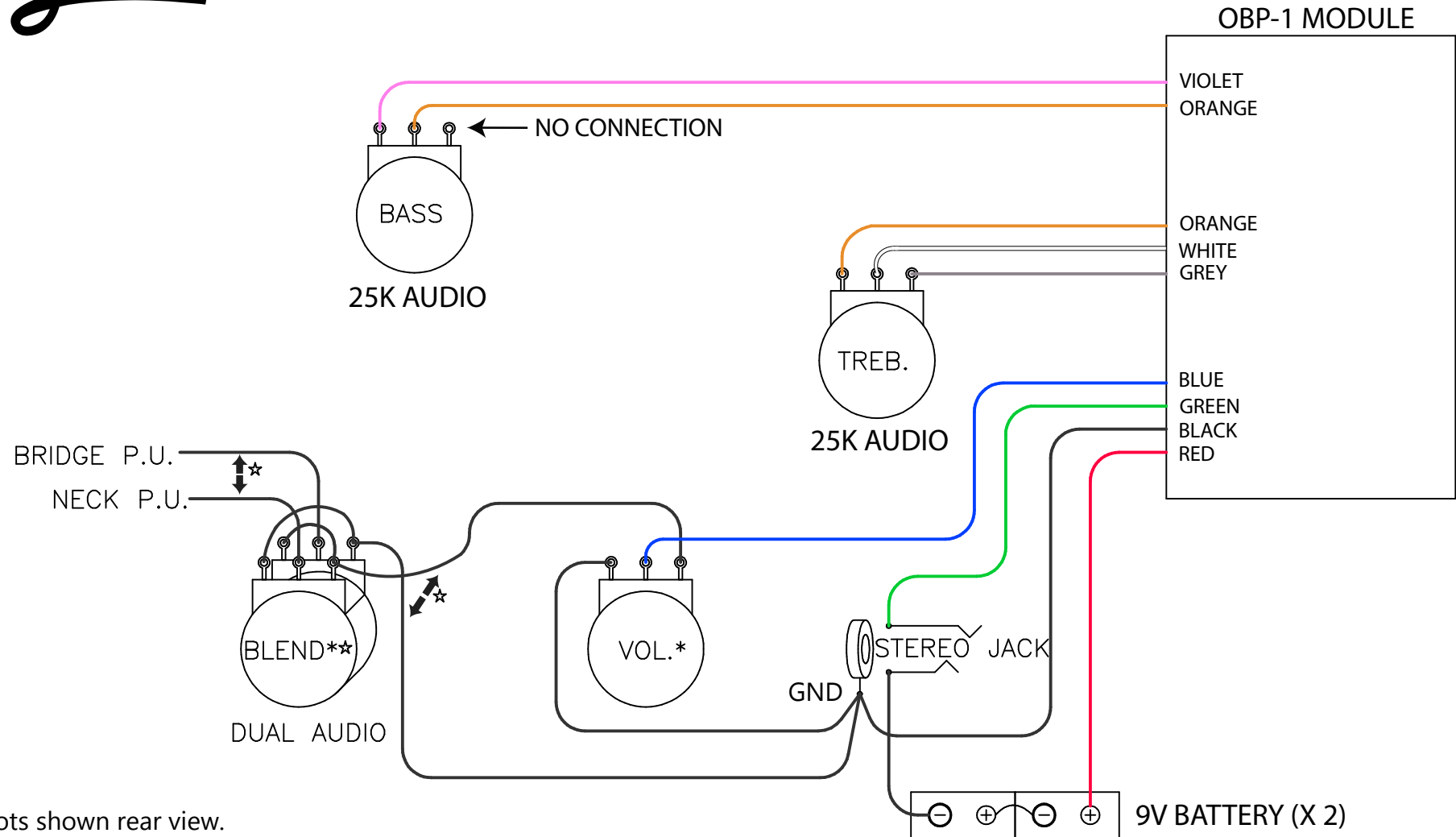
AGUILAR OBP-1 WIRING DIAGRAM WITH VOLUME CONTROL AND BYPASS SWITCH



Pots shown rear view.
Inserting 1/4" plug applies power to OBP-1.
The two orange wires are interchangeable.
*Value depends on pickup. Use value recommended by pickup manufacturer.



AGUILAR OBP-1 WIRING DIAGRAM WITH BLEND AND VOLUME CONTROL



Pots shown rear view.

Inserting 1/4" plug applies power to OBP-1.

The two orange wires are interchangeable.

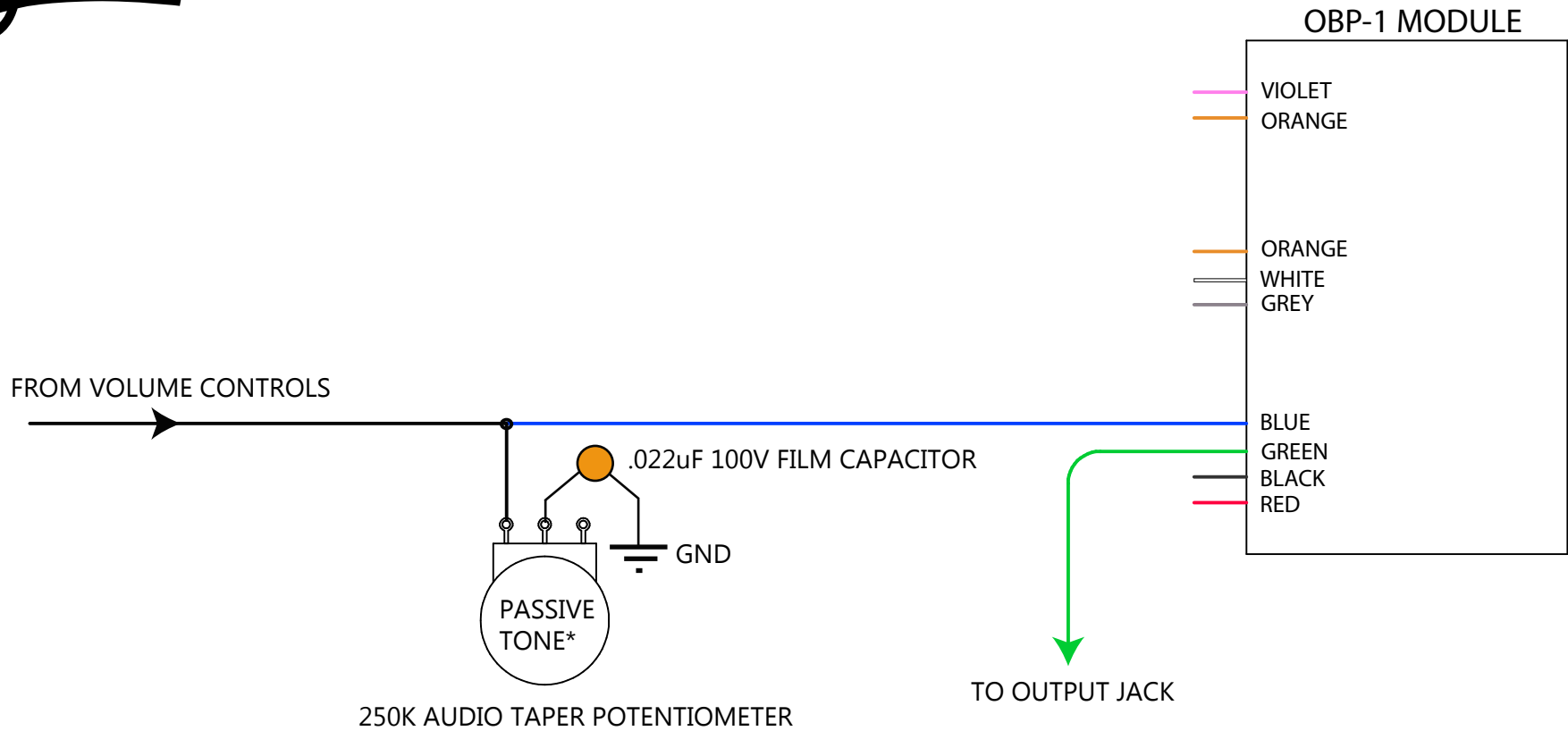
*Value depends on pickups. Use values recommended by pickup manufacturer.

★To wire MN (1Z2Z) taper potentiometer, swap positions of the following wires: Bridge P.U. and Neck P.U.; Volume jumper and GND.



AGUILAR OBP-1 WIRING DIAGRAM

ADDING PASSIVE TONE CONTROL



Pots shown rear view.

The two orange wires are interchangeable.

*Optional. A passive tone control can be added to any of the wiring schemes on pages 1-4.